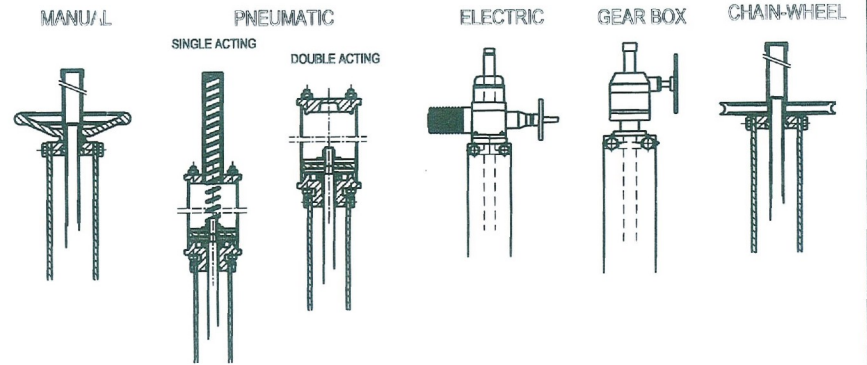
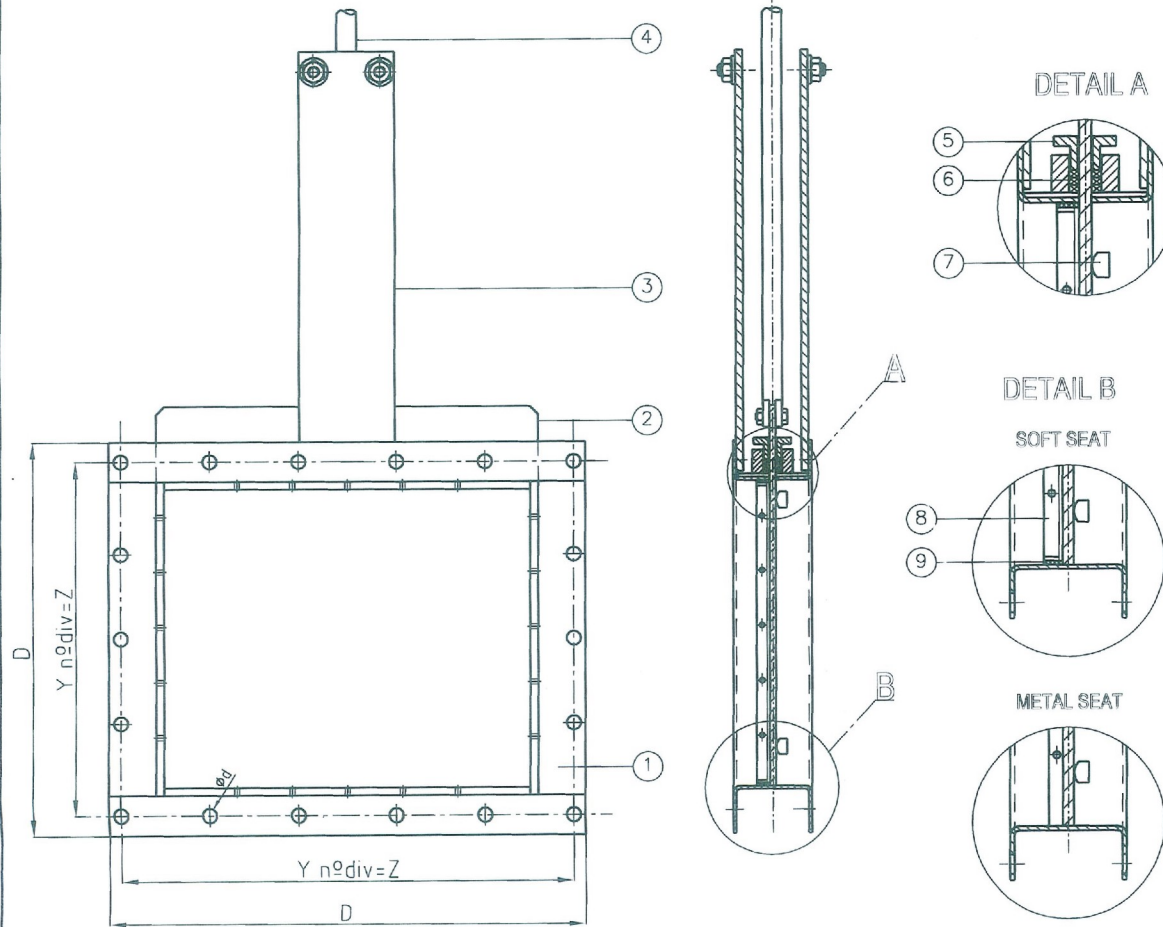


DIMENSION	DIMENSIONS			FLANGES DIMENSIONS		
	DISTANCE BETWEEN FLANGES	FRAME THICKNESS	PACKING	DxD	Y n°div.=Z	d
125x125	UPN100	8	3x8	215x215	2x92,5=185	12
150x150	UPN100	8	3x8	240x240	2x105=210	12
200x200	UPN100	8	3x8	290x290	2x130=260	12
250x250	UPN100	8	3x8	340x340	2x155=310	12
300x300	UPN100	8	3x8	390x390	3x120=360	12
350x350	UPN100	8	3x8	450x450	3x140=420	14
400x400	UPN100	10	3x8	500x500	4x117,5=470	14
450x450	UPN100	10	3x8	550x550	4x130=520	14
500x500	UPN100	10	3x8	600x600	4x142,5=570	14
550x550	UPN100	10	3x8	650x650	4x155=620	14
600x600	UPN100	10	3x8	700x700	4x167,5=670	14
650x650	UPN100	10	3x8	750x750	4x180=720	14
700x700	UPN120	10	3x8	810x810	5x155=775	16
750x750	UPN120	10	3x8	860x860	5x166=830	16
800x800	UPN120	12	3x10	910x910	5x175=875	16
900x900	UPN140	12	3x10	1010x1010	6x162,5=975	16
1000x100	UPN140	12	3x12	1120x1120	7x155=1085	16

DIMENSION	ACTUATORS												
	MANUAL		BARE SHAFT	PNEUMATIC			ELECTRIC			GEAR BOX		CHAIN-WHEEL	
	ØSTEM	HANDWHEEL		ØCYLINDER	ØSTEM	ØCYLINDER	ØSTEM	FLANGE	PAR m/Kg	TYPE	FL		ØHANDWHEEL
125x125	Ø25x6	Ø300	Ø25x5	Ø80	Ø20	Ø125	Ø25	F10	30	SA07.1	FLO-4	Ø450	Ø225
150x150	Ø25x6	Ø300	Ø25x5	Ø80	Ø20	Ø125	Ø25	F10	30	SA07.1	FLO-4	Ø450	Ø225
200x200	Ø25x6	Ø300	Ø25x5	Ø80	Ø20	Ø125	Ø25	F10	60	SA07.5	FLO-4	Ø450	Ø300
250x250	Ø25x6	Ø300	Ø25x5	Ø80	Ø20	Ø125	Ø25	F10	60	SA07.5	FLO-4	Ø450	Ø300
300x300	Ø25x6	Ø300	Ø25x5	Ø80	Ø20	Ø125	Ø25	F10	60	SA07.5	FLO-4	Ø450	Ø300
350x350	Ø25x6	Ø300	Ø25x5	Ø80	Ø20	Ø125	Ø25	F10	60	SA07.5	FLO-4	Ø450	Ø300
400x400	Ø25x6	Ø300	Ø25x5	Ø80	Ø20	Ø125	Ø25	F10	60	SA07.5	FLO-4	Ø450	Ø300
450x450	Ø25x6	Ø300	Ø25x5	Ø80	Ø20	Ø125	Ø25	F10	120	SA10.1	FLO-4	Ø450	Ø402
500x500	Ø25x6	Ø300	Ø25x5	Ø80	Ø20	Ø125	Ø25	F10	120	SA10.1	FLO-4	Ø450	Ø402
550x550	Ø36x6	Ø400	Ø36x6	Ø160	Ø30	Ø200	Ø30	F10	120	SA10.1	FLO-4	Ø450	Ø402
600x600	Ø36x6	Ø400	Ø36x6	Ø160	Ø30	Ø200	Ø30	F10	120	SA10.1	FLO-4	Ø450	Ø402
650x650	Ø36x6	Ø400	Ø36x6	Ø160	Ø30	Ø200	Ø30	F10	120	SA10.1	FLO-4	Ø450	Ø402
700x700	Ø36x6	Ø400	Ø36x6	Ø160	Ø30	Ø200	Ø30	F10	120	SA10.1	FLO-4	Ø450	Ø402
750x750	Ø36x6	Ø400	Ø36x6	Ø160	Ø30	Ø200	Ø30	F10	120	SA10.1	FLO-4	Ø450	Ø402
800x800	Ø40x7	Ø500	Ø40x7	Ø200	Ø30	Ø250	Ø40	F10	120	SA10.1	FLO-4	Ø450	Ø450
900x900	Ø40x7	Ø500	Ø40x7	Ø250	Ø40	Ø300	Ø45	F10	120	SA10.1	FLO-4	Ø450	Ø450
1000x1000	Ø40x7	Ø500	Ø40x7	Ø250	Ø40	Ø300	Ø45	F10	120	SA10.1	FLO-4	Ø450	Ø450

*Higher diameters under request.

ACTUATORS



* Consult material.

Joint	9	EPDM		
Fixing plate	8	Aisi		
Wedge	7	Ertacetel		
Packing	6	Synt.+PTFE		
Packing gland	5	Steel		
Stem	4	Aisi 303		
Support plate	3	Steel/Aisi 304		
Gate	2	Aisi 304L		
Body	1	Steel/Aisi 304		
Number of pieces	Denomination	Marck	Material	Remarks

FLANGES LENGTH	SQUARE		SQUARE MODEL
	Date	By	
Drawing	13/06/06		
Appr.			
Scale			